

FLOOD PANEL

INDEX:

GENERAL NOTES
ELEVATION AND PLAN VIEW
DETAILS

NOTES
A1-A12
D1-D5

Approval Stamp

Approval Review

- Approved for release to production Approved as corrected for release to production
- Revise and re-submit Submit specific item

This review is only for general conformance with the design concept of the project and general compliance with the information given in the contract documents. Corrections or comments made on the shop drawings during this review do not relieve the contractor from compliance with the plans and specifications. Approval of a specific item shall not include approval of an assembly of which the item is a component. Contractor is responsible for: dimensions to be confirmed and correlated at the job site. This review does not pertain to the fabrication process or to the means, methods, sequences and procedures of construction or installation of this product or coordination of the work of all trades and for performing all work in a safe and satisfactory manner.

Approved By (signature): _____

Approved By (Print Name): _____

Company Name: _____

Approval Date: _____



ARCHITECTURE METALS
5500 MILITARY TRAIL
SUITE 22-220
JUPITER, FL 33458
561-630-0020
FAX 561-744-2755

All drawings, designs, renderings, specifications and configurations contained in these documents are the exclusive property of Architecture Metals (AM). No duplication, copies, or use of these documents to produce same or similar products is allowed without express written consent of AM. This material can not be duplicated.

TITLE: Peoples United Bank, Bridgeport, CT

DATE: 07.29.13



DEPT OF BLDGS121185528

Job Number



ES012413222

Scan Code

GENERAL NOTES:

1. The structural design of these Removable Flood Panels is generic and has been designed for hydrostatic hydrodynamic and impact debris flood loads with water pressures corresponding to maximum water height and flow speed of 5 ft/sec. up to 8 ft/sec. in order to certify minimum required flood elevation to top of Flood Panels.
2. It shall be determined, on a job by job basis, the required Panel height and flow speed for the design of Removable Flood Panels, based on FEMA's criteria (See Note #3) as well as per ASCE 24-98 Standard. Installation and construction of these Flood Panels for use within flood hazard areas shall be in accordance with the American Society of Civil Engineers Flood Resistant Design and Construction Standard SEI/ASCE 24-98.
3. Design criteria has been based on the 2009 Edition of the International Building Code, the corresponding provisions of ASCE 24-98, FEMA flood proofing non-residential structures manual FEMA 102, and FEMA Technical Bulletin 3-93. Design flood loads have been determined in accordance with ASCE 7-05. Design wind loads have been determined in accordance with ASCE 7-05 for 140 mph Basic Wind Speed for category 2 building.
4. Panels are only to be installed on a "X" or AE" Flood Zone. This condition shall be verified and this engineer shall be notified if not complied with.
5. Flood Panels shall not be installed within areas where ice flows or ice jams occur.
6. In order to certify flood elevation, Flood Panels shall be tested for water infiltration in accordance with FEMA 102 manual for flood proofing of non-residential structures, specifications Section 8, Page 70.
7. Flood Panel manufacturer to install and use gaskets and approved sealants following all the recommendations and specifications of the manufacturers respectively.
8. Flood Panel manufacturer to verify all dimensions, wall and floor conditions at site before proceeding with the work, and shall notify this engineer if any discrepancy is found that would alter the structural design of these Flood Panels.
9. Existing slabs and walls adjacent to opening where Flood Panel is to be installed shall be given a surface treatment by means of water proof sealer before flood Panel is installed. Surface must be smooth, square, plumb and level.
10. Existing slabs and walls adjacent to openings where Flood Panels are to be installed shall be structurally designed by engineer of record, to sustain the same hydrostatic, hydrodynamic and impact pressures that correspond to maximum water elevation above finished floor at top of Panel , based on criteria mentioned on Note #3.
11. Drop-in anchors embedded into concrete for removable support installation shall be covered with a cap or similar device to protect their inside hold from dust, so that machine screws can easily be installed at time of flood warning.
12. Separation of Panel to window/door shall be measured from back of Panel to window/door including any knob, handle, or protruding device, and shall be 2" minimum.
13. All aluminum extrusions to be 6063-T6 alloy, and 6005-T5 alloy.
14. All sheet metal screws shall be as manufactured by ITW/Buildex "TEK Screws", and to be made of non-corrosive material.
15. All bolts to be galvanized steel ASTM A-307 designation or 304 Series Stainless Steel.
16. All gaskets installed shall be neoprene per drawings.
17. All welding to conform to the American Welding Society AWS D1.2. 1998 Regulations. Use certified welders. Use ER-5356 Electrodes.
18. The engineer is not responsible for construction safety at site which is the Flood Panel Manufacturer's responsibility. Flood Panel Manufacturer to be responsible for providing the tenant with proper instructions for the installation of these Flood Panels.
19. Surfaces against which the sealing gasket presses must be built "paper-smooth" to prevent excessive water extrusion, beyond that allowed by requirements. All surfaces must be plumb, square and level.
20. Responsibility for filing the building "Flood Proofing Certificate" is the responsibility of the owner's architect and/or engineer and not of Architecture Metals Ltd. or Flood Panel LLC.

All drawings, designs, renderings, specifications and configurations contained in these documents are the exclusive property of Architecture Metals (AM). No duplication, copies, or use of these documents to produce same or similar products is allowed without express written consent of AM. This material can not be duplicated.

General Notes

ARCHITECTURE METALS
FLOOD LOG SHOP
DRAWINGS

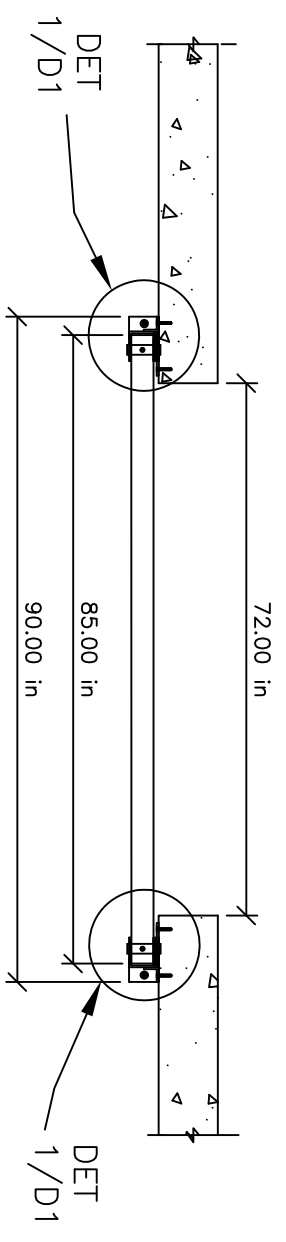
No.	Revision/Issue	Date

From Name and Address
ARCHITECTURE METALS
5500 MILITARY TRAIL
STE 22-220
JUPITER, FL 33458
561-630-0020

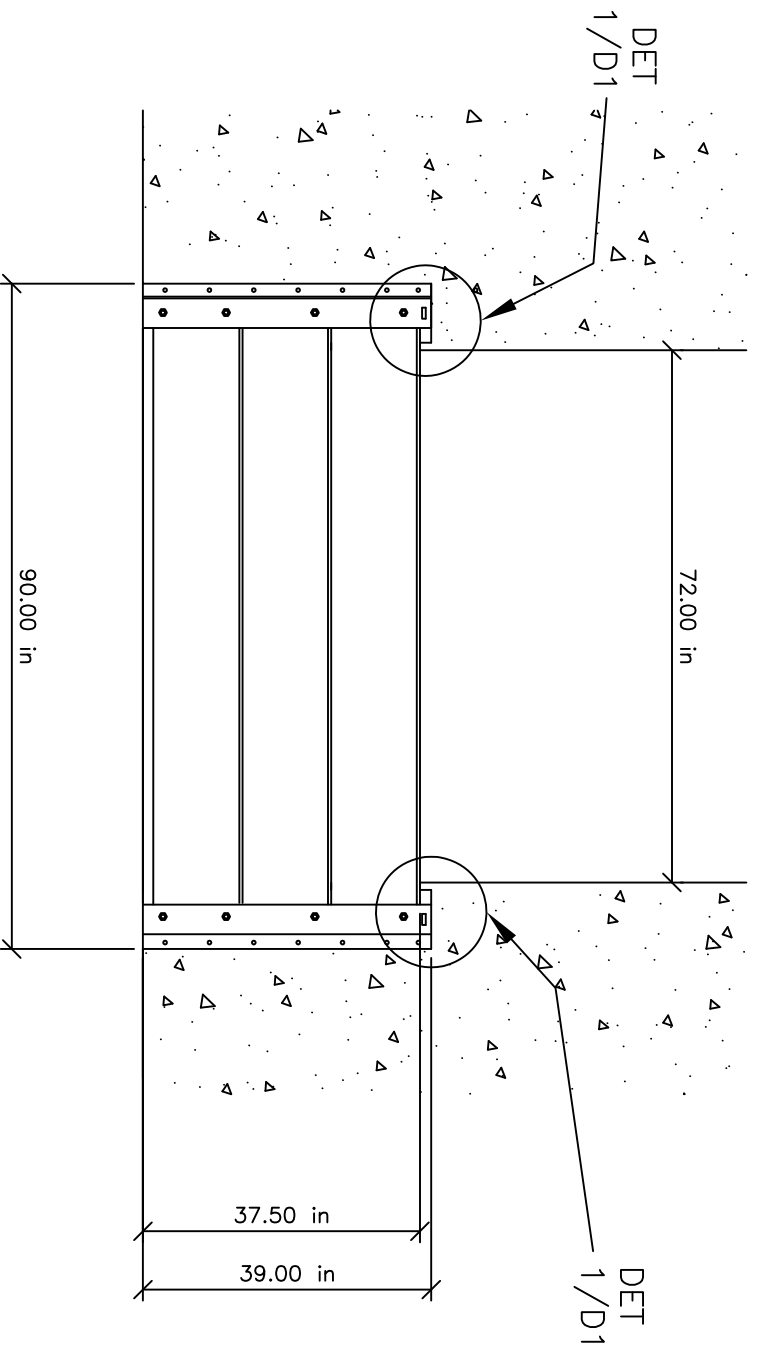
Project Name and Address
Peoples United Bank
Bridgeport, CT

Project	Sheet
07.29.13	NOTES
Scale	NTS

PLAN



ELEVATION



A1
 DOOR 01
 (1 EACH)
 NTS

ARCHITECTURE METALS
 FLOOD LOG SHOP
 DRAWINGS

No.	Revision/Issue	Date

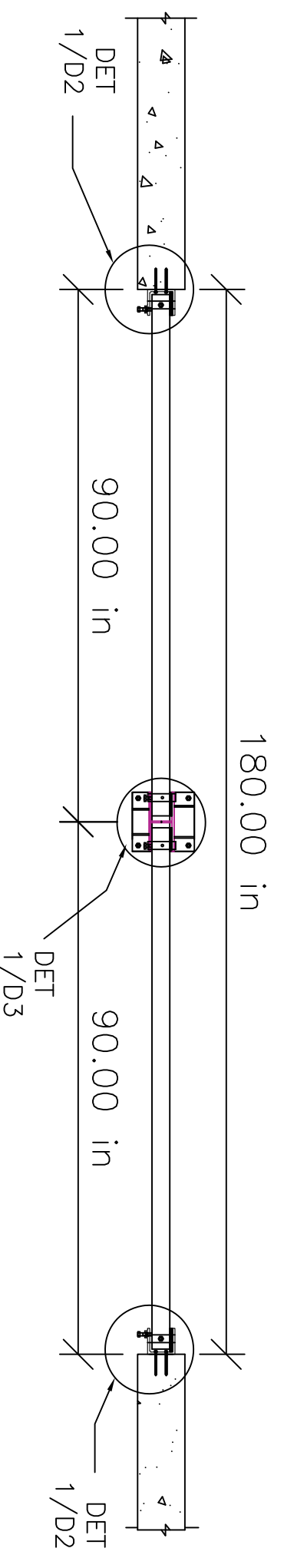
From Name and Address
 ARCHITECTURE METALS
 5500 MILITARY TRAIL
 STE. 22-220
 JUPITER, FL 33458
 561-630-0020

Project Name and Address
 Peoples United Bank
 Bridgeport, CT

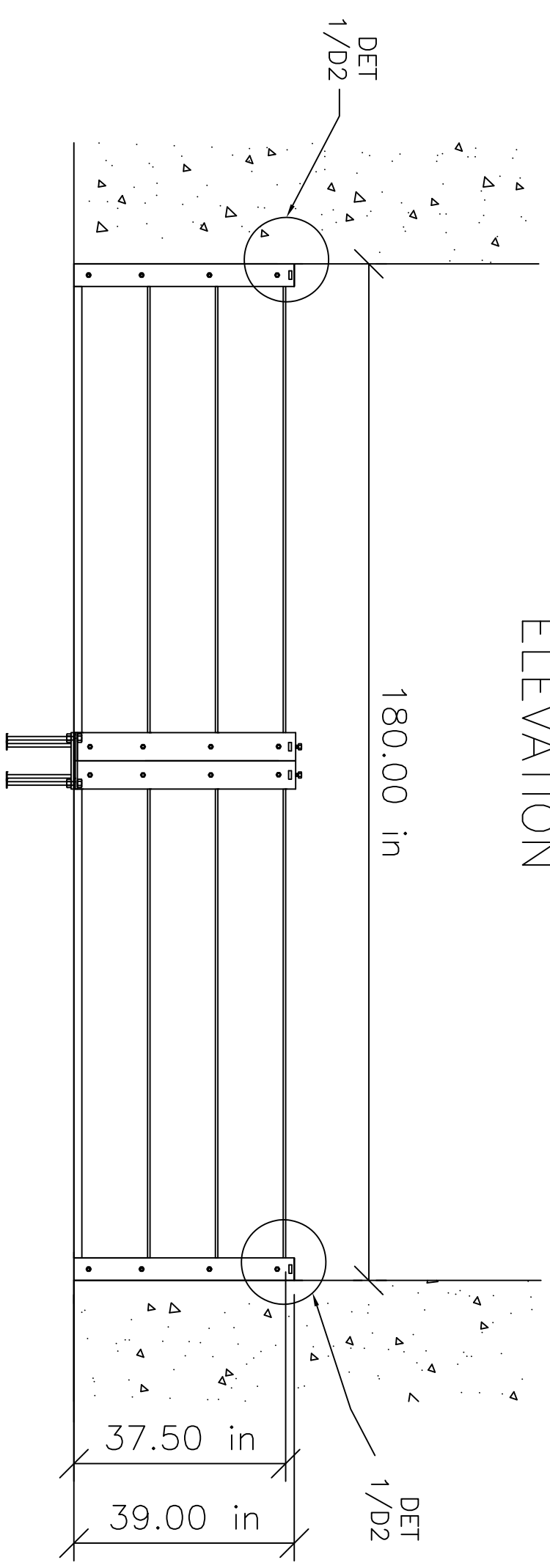
Project	Sheet
07.29.13	A1
Scale	NTS

All drawings, designs, renderings, specifications and configurations contained in these documents are the exclusive property of Architecture Metals (AM). No duplication, copies, or use of these documents to produce same or similar products is allowed without express written consent of AM. This material can not be duplicated.

PLAN



ELEVATION



A2
 DOOR 2
 (1 EACH)
 NTS

ARCHITECTURE METALS FLOOD LOG SHOP DRAWINGS

No.	Revision/Issue	Date

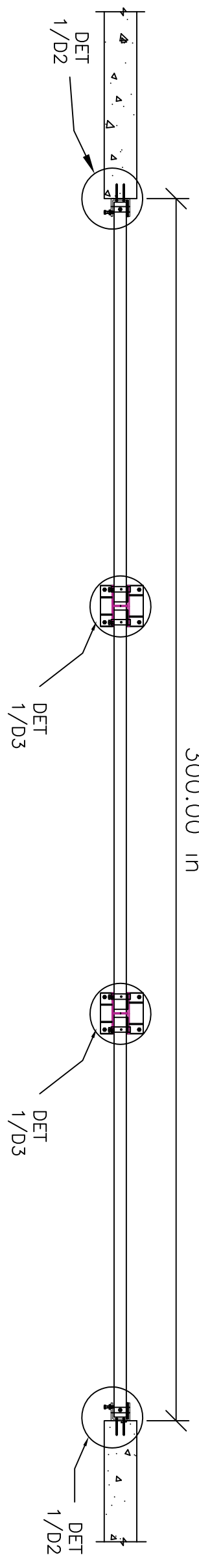
From Name and Address
 ARCHITECTURE METALS
 5500 MILITARY TRAIL
 STE. 22-220
 JUPITER, FL 33458
 561-630-0020

Project Name and Address
 Peoples United Bank
 Bridgeport, CT

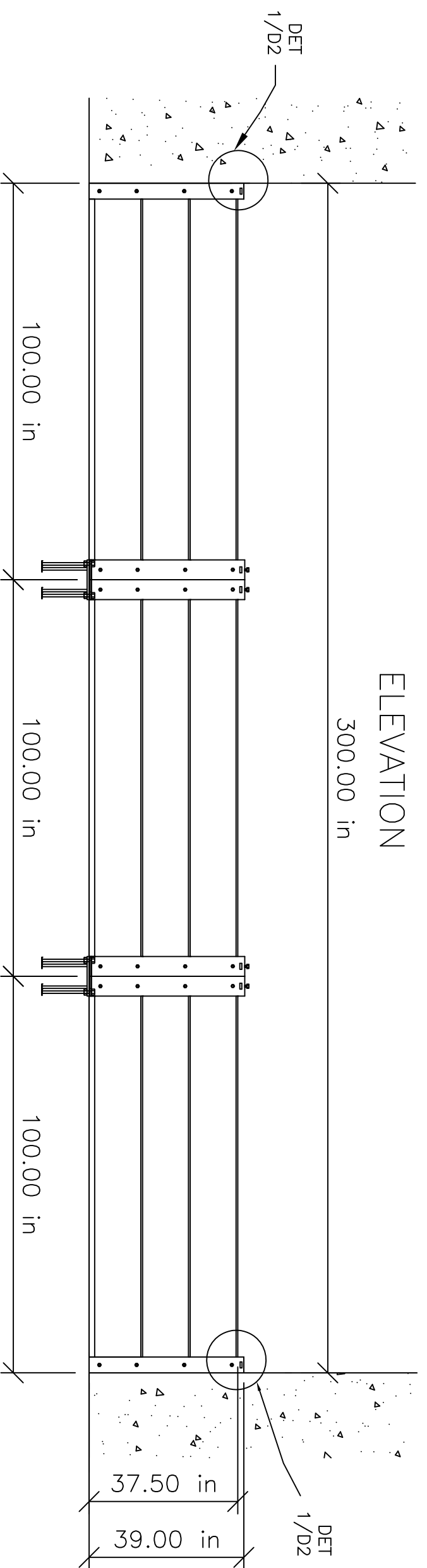
Project	Sheet
07.29.13	A2
Scale	NTS

All drawings, designs, renderings, specifications and configurations contained in these documents are the exclusive property of Architecture Metals (AM). No duplication, copies, or use of these documents to produce same or similar products is allowed without express written consent of AM. This material can not be duplicated.

PLAN



ELEVATION



A3
DOOR 3
(1 EACH)
NTS

ARCHITECTURE METALS FLOOD LOG SHOP DRAWINGS

No.	Revision/Issue	Date

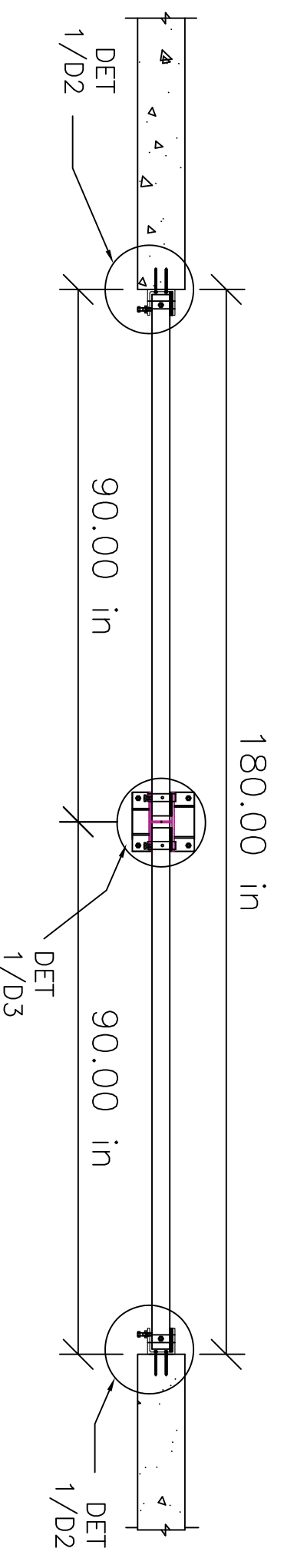
From Name and Address
 ARCHITECTURE METALS
 5500 MILITARY TRAIL
 STE. 22-220
 JUPITER, FL 33458
 561-630-0020

Project Name and Address
 Peoples United Bank
 Bridgeport, CT

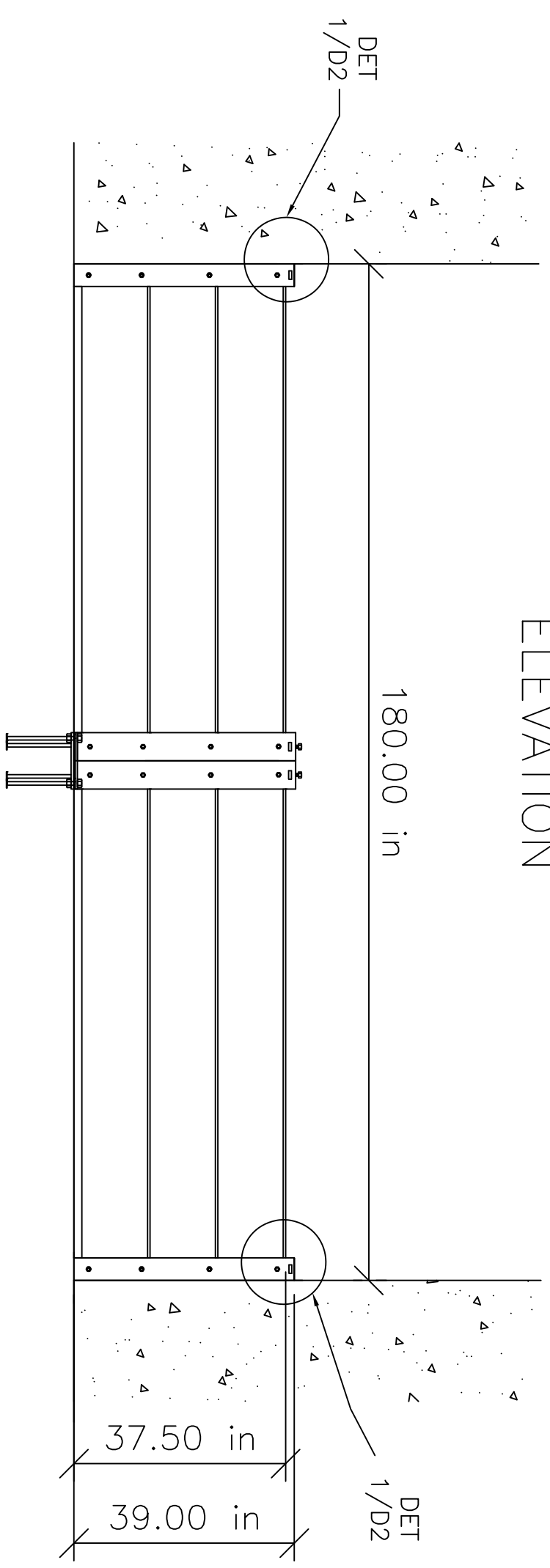
Project Sheet
 07.29.13 A3
 Scale NTS

All drawings, designs, renderings, specifications and configurations contained in these documents are the exclusive property of Architecture Metals (AM). No duplication, copies, or use of these documents to produce same or similar products is allowed without express written consent of AM. This material can not be duplicated.

PLAN



ELEVATION



A2
 DOOR 2
 (1 EACH)
 NTS

ARCHITECTURE METALS FLOOD LOG SHOP DRAWINGS

No.	Revision/Issue	Date

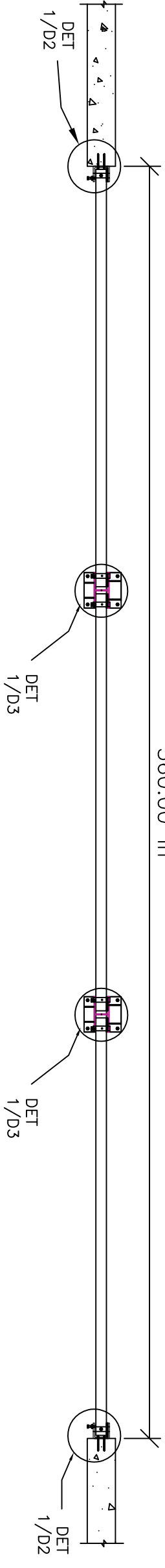
From Name and Address
 ARCHITECTURE METALS
 5500 MILITARY TRAIL
 STE. 22-220
 JUPITER, FL 33458
 561-630-0020

Project Name and Address
 Peoples United Bank
 Bridgeport, CT

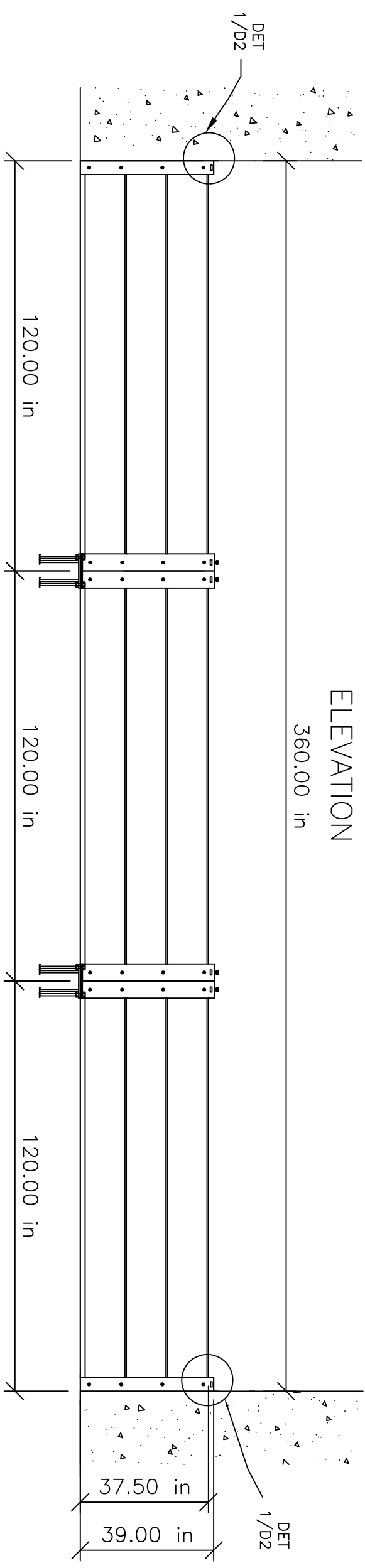
Project	Sheet
07.29.13	A4
Scale	NTS

All drawings, designs, renderings, specifications and configurations contained in these documents are the exclusive property of Architecture Metals (AM). No duplication, copies, or use of these documents to produce same or similar products is allowed without express written consent of AM. This material can not be duplicated.

PLAN
360.00 in



ELEVATION
360.00 in



A5
DOOR 5
(1 EACH)
NTS

ARCHITECTURE METALS
FLOOD LOG SHOP
DRAWINGS

No.	Revision/Issue	Date

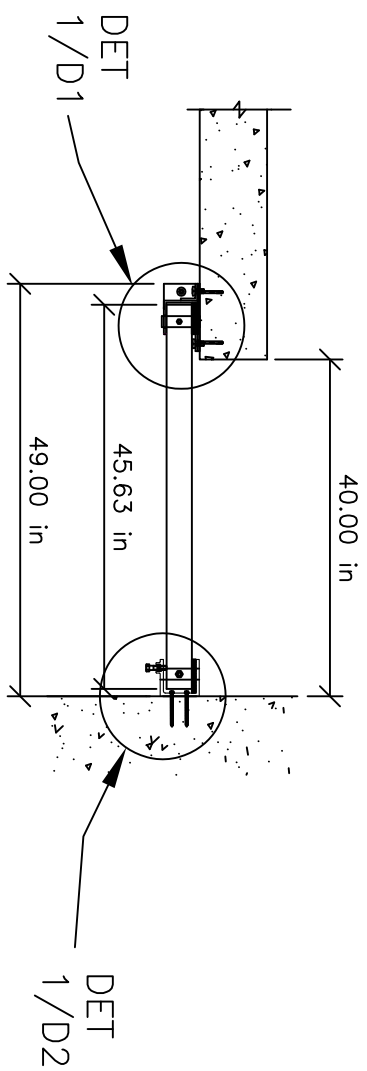
From Name and Address
 ARCHITECTURE METALS
 5500 MILITARY TRAIL
 STE. 22-220
 JUPITER, FL 33458
 561-630-0020

Project Name and Address
 Peoples United Bank
 Bridgeport, CT

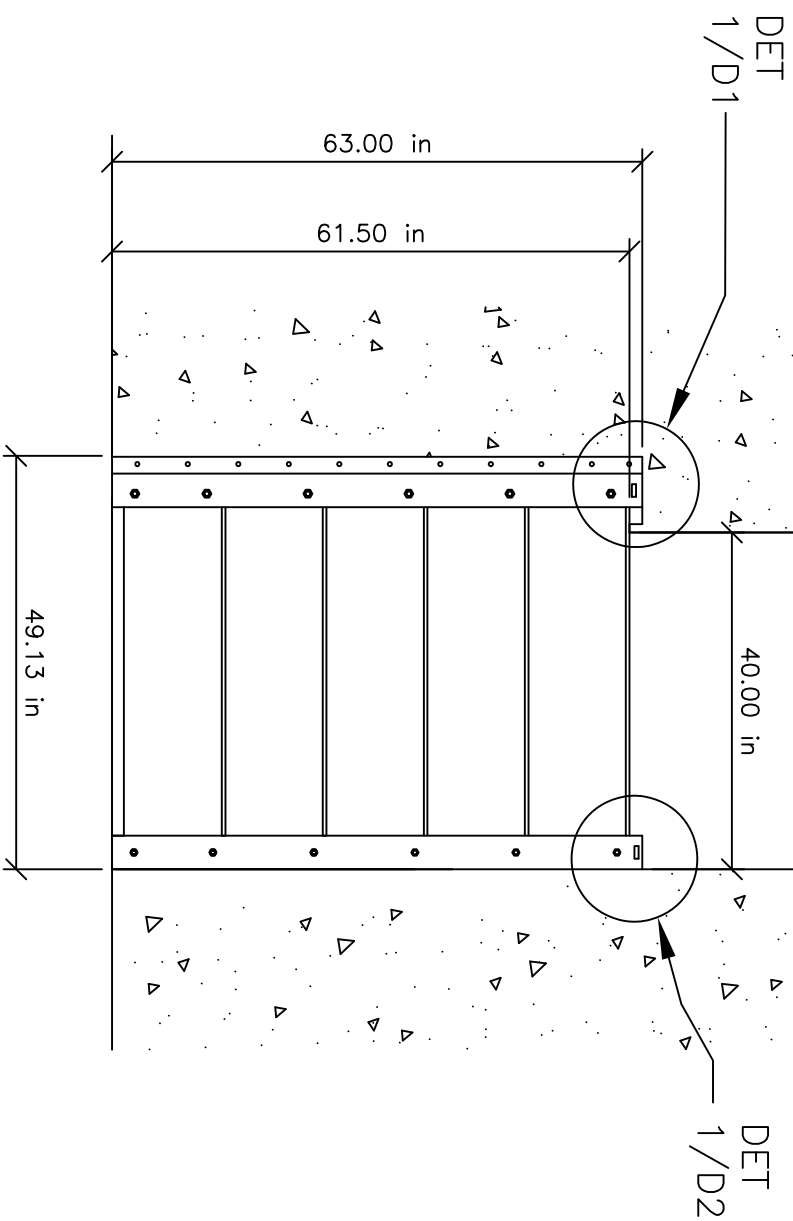
Project	Sheet
07.29.13	A5
Scale	NTS

All drawings, designs, renderings, specifications and configurations contained in these documents are the exclusive property of Architecture Metals (AM). No duplication, copies, or use of these documents to produce same or similar products is allowed without express written consent of AM. This material can not be duplicated.

PLAN



ELEVATION



A6
 DOOR 6
 (1 EACH)
 NTS

General Notes

ARCHITECTURE METALS
 FLOOD LOG SHOP
 DRAWINGS

No.	Revision/Issue	Date

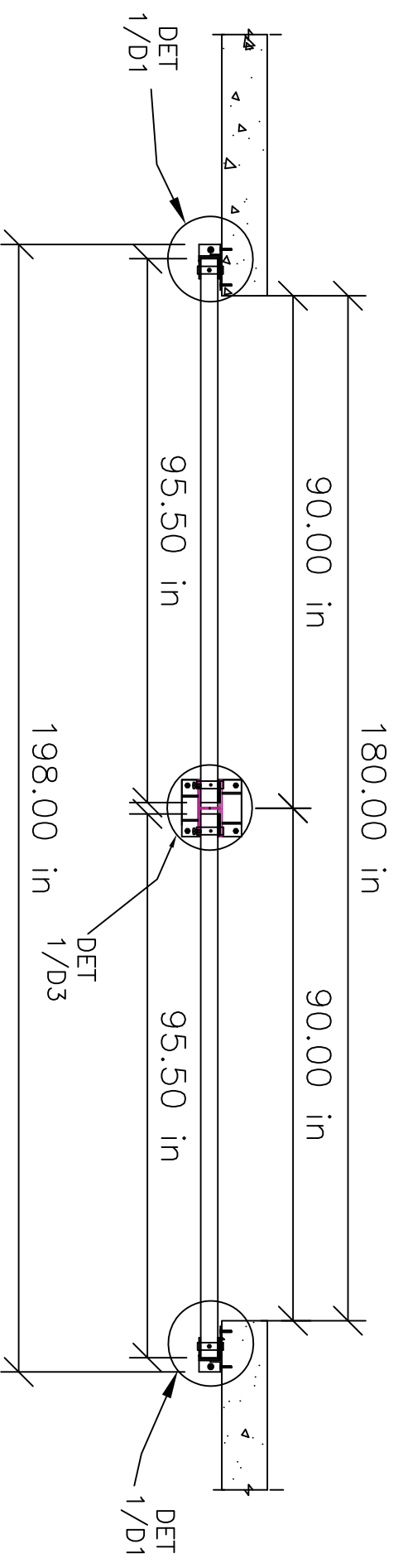
From Name and Address
 ARCHITECTURE METALS
 5500 MILITARY TRAIL
 STE. 22-220
 JUPITER, FL 33458
 561-630-0020

Project Name and Address
 Peoples United Bank
 Bridgeport, CT

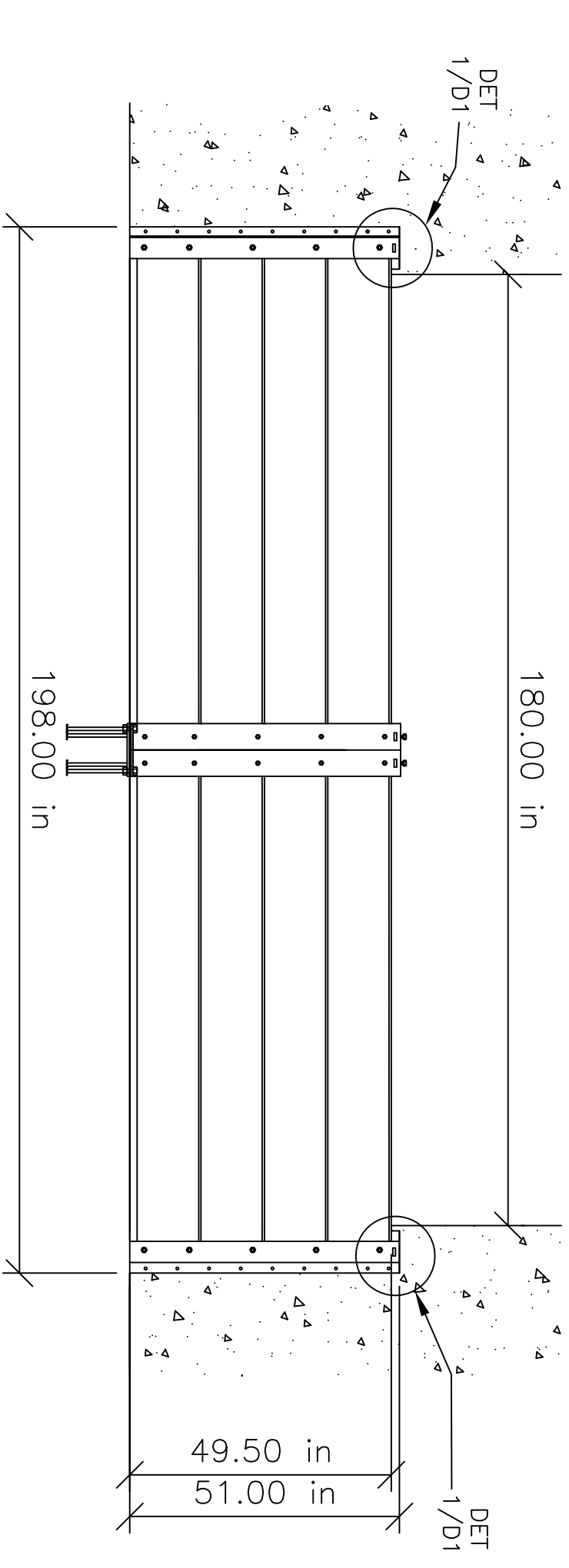
Project	Sheet
07.29.13	A6
Scale	NTS

All drawings, designs, renderings, specifications and configurations contained in these documents are the exclusive property of Architecture Metals (AM). No duplication, copies, or use of these documents to produce same or similar products is allowed without express written consent of AM. This material can not be duplicated.

PLAN



ELEVATION



A7
 DOOR 7, 8
 (2 EACH)
 NTS

ARCHITECTURE METALS
 FLOOD LOG SHOP
 DRAWINGS

No.	Revision/Issue	Date

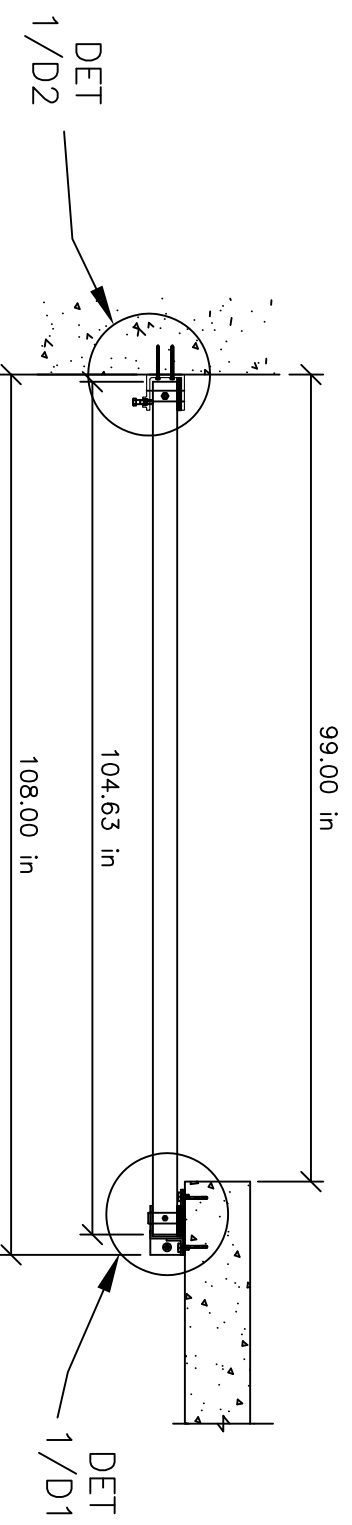
From Name and Address
 ARCHITECTURE METALS
 5500 MILITARY TRAIL
 STE. 22-220
 JUPITER, FL 33458
 561-630-0020

Project Name and Address
 Peoples United Bank
 Bridgeport, CT

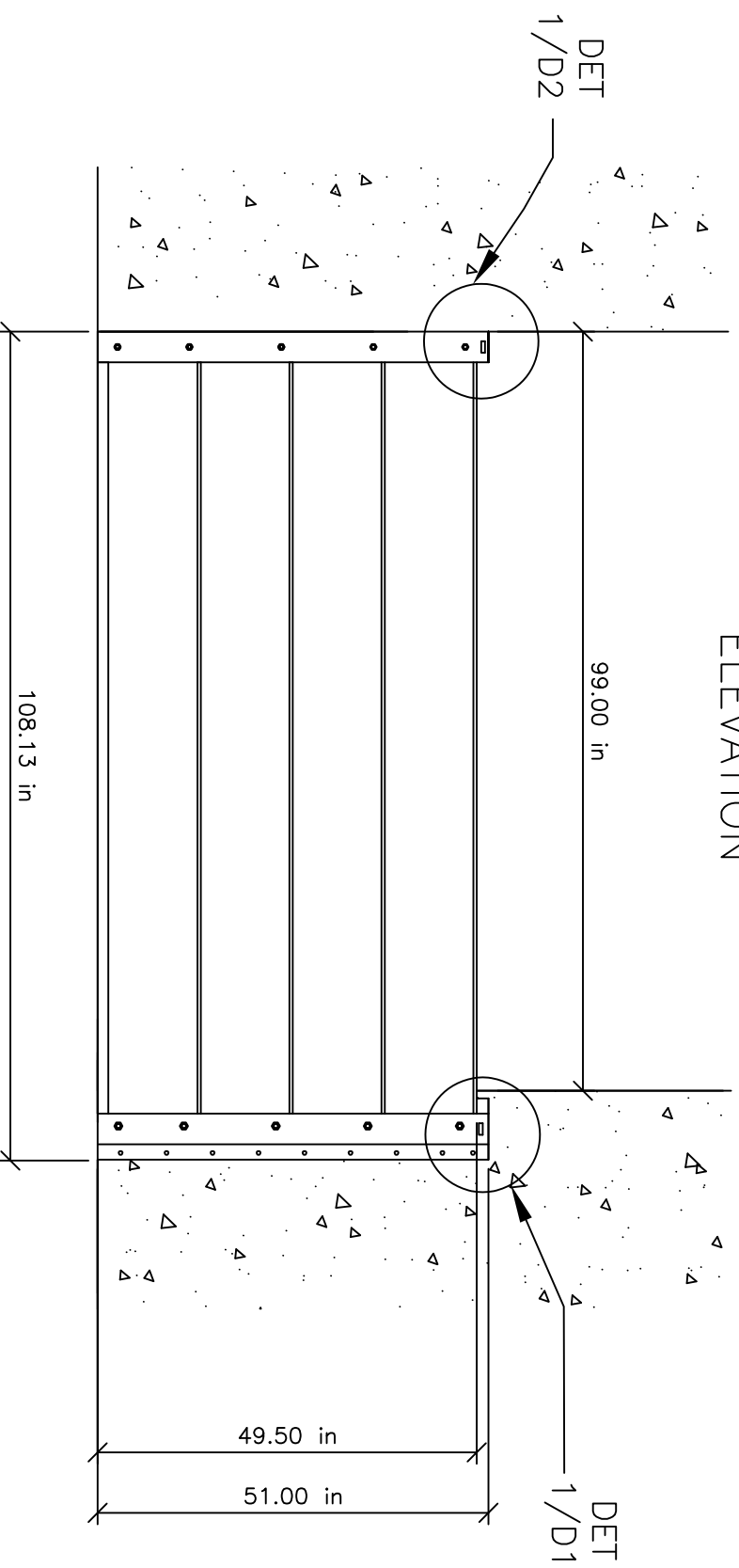
Project	Sheet
07.29.13	A7
Scale	
NTS	

All drawings, designs, renderings, specifications and configurations contained in these documents are the exclusive property of Architecture Metals (AM). No duplication, copies, or use of these documents to produce same or similar products is allowed without express written consent of AM. This material can not be duplicated.

PLAN



ELEVATION



A8
DOOR 9
(1 EACH)
NTS

All drawings, designs, renderings, specifications and configurations contained in these documents are the exclusive property of Architecture Metals (AM). No duplication, copies, or use of these documents to produce same or similar products is allowed without express written consent of AM. This material can not be duplicated.

General Notes

ARCHITECTURE METALS
FLOOD LOG SHOP
DRAWINGS

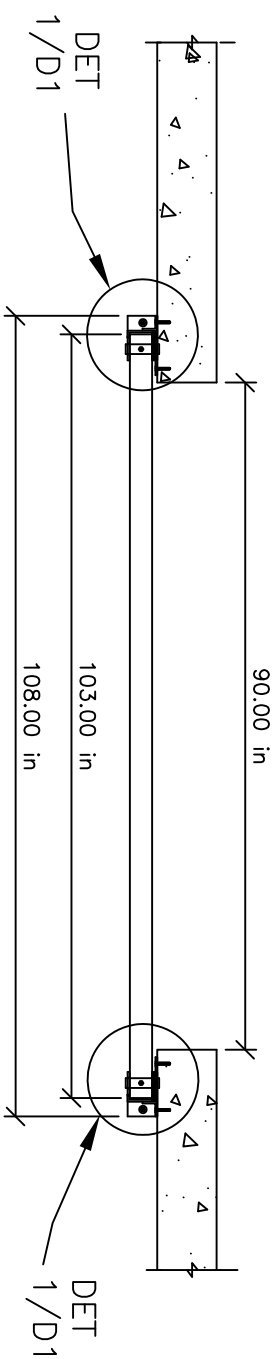
No.	Revision/Issue	Date

From Name and Address
ARCHITECTURE METALS
5500 MILITARY TRAIL
STE. 22-220
JUPITER, FL 33458
561-630-0020

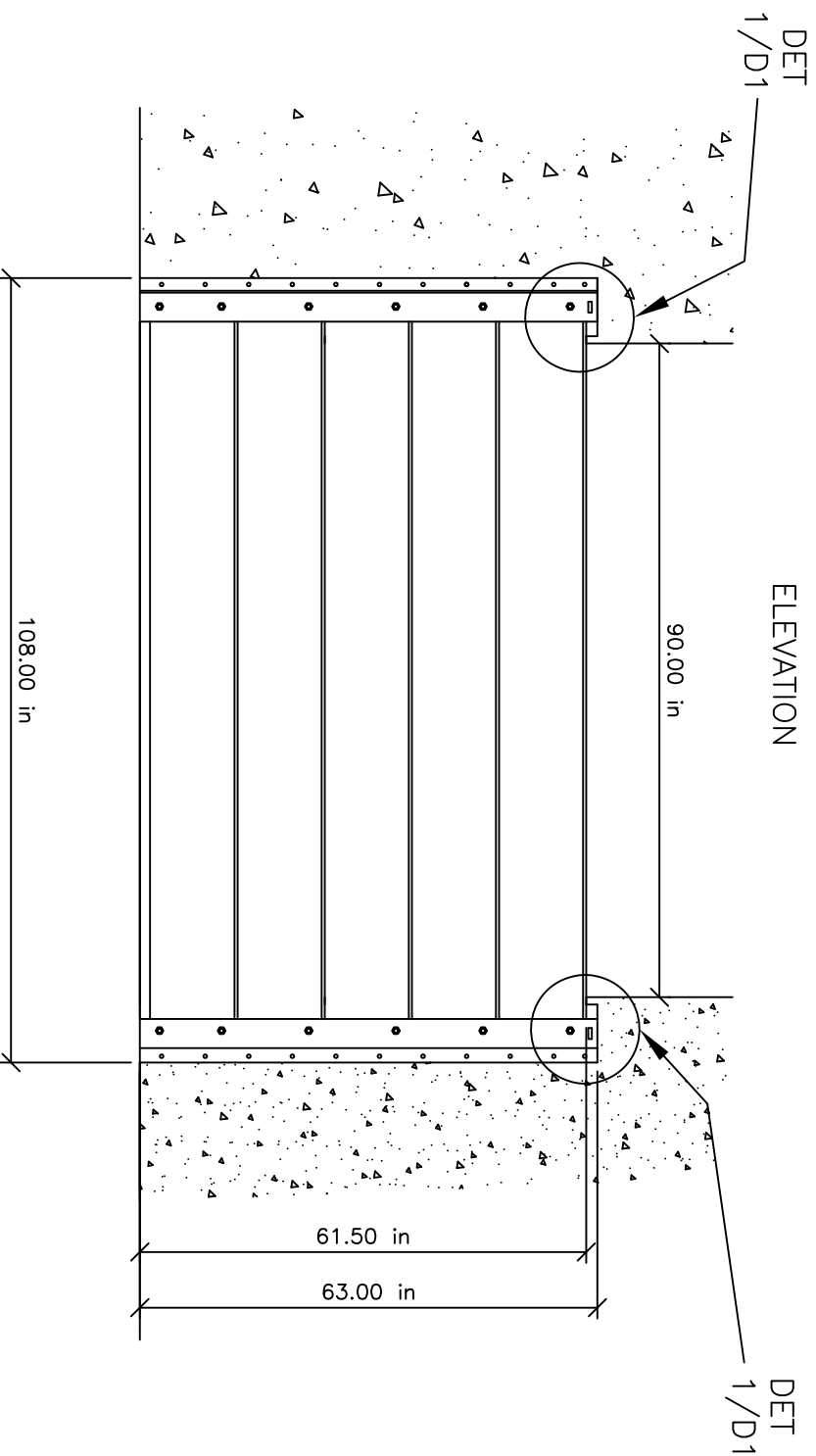
Project Name and Address
Peoples United Bank
Bridgeport, CT

Project	Sheet
07.29.13	A8
Scale	NTS

PLAN



ELEVATION



A9
 DOOR 10, 11
 (2 EACH)
 NTS

All drawings, designs, renderings, specifications and configurations contained in these documents are the exclusive property of Architecture Metals (AM). No duplication, copies, or use of these documents to produce same or similar products is allowed without express written consent of AM. This material can not be duplicated.

General Notes

ARCHITECTURE METALS
 FLOOD LOG SHOP
 DRAWINGS

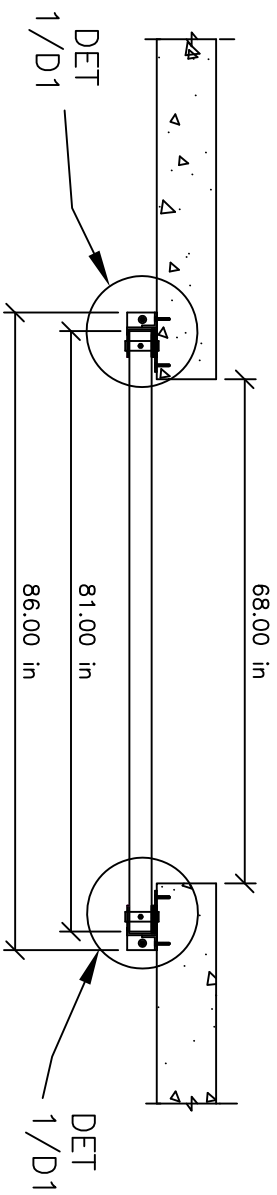
No.	Revision/Issue	Date

From Name and Address
 ARCHITECTURE METALS
 5500 MILITARY TRAIL
 STE. 22-220
 JUPITER, FL 33458
 561-630-0020

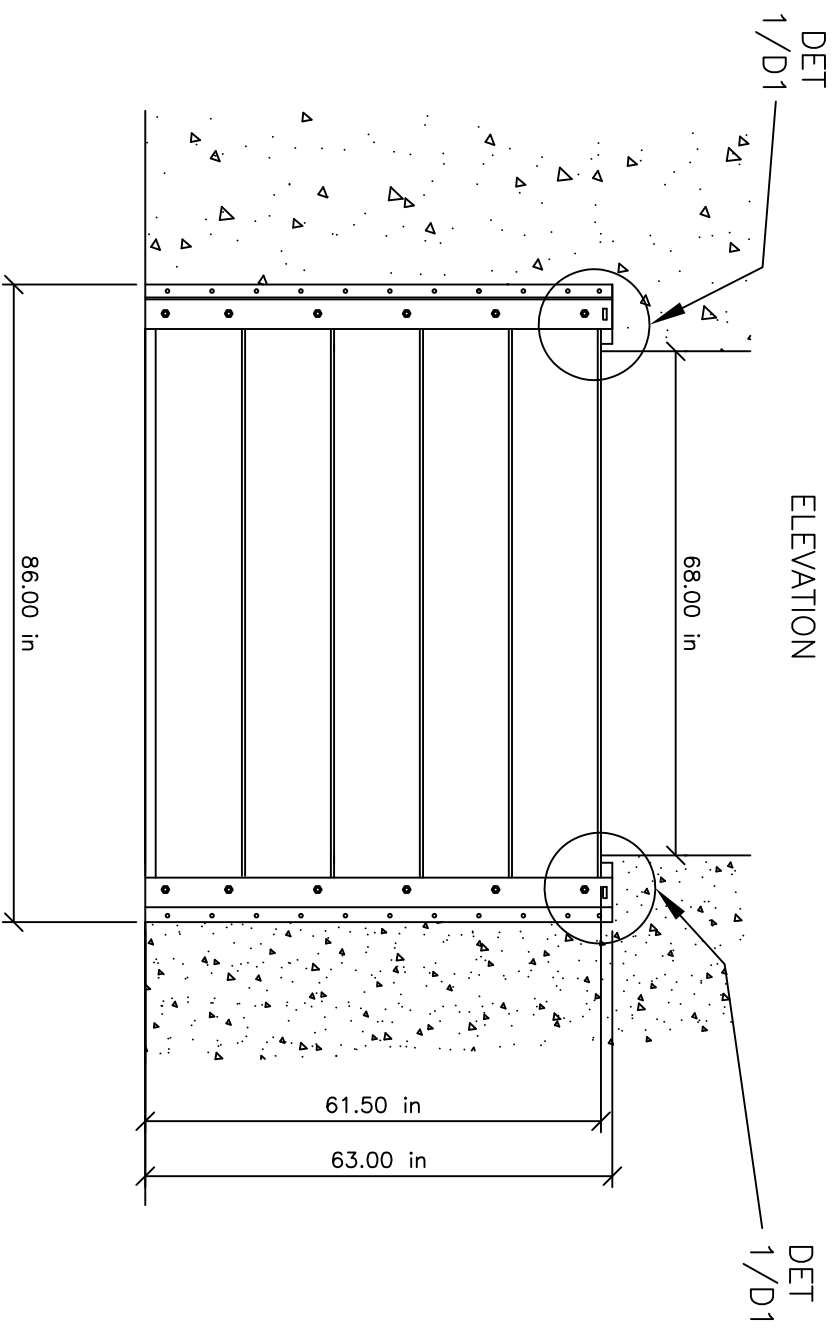
Project Name and Address
 Peoples United Bank
 Bridgeport, CT

Project Sheet
 07.29.13 A9
 Scale NTS

PLAN



ELEVATION



A10
 DOOR 12, 13
 (2 EACH)
 NTS

General Notes

ARCHITECTURE METALS
 FLOOD LOG SHOP
 DRAWINGS

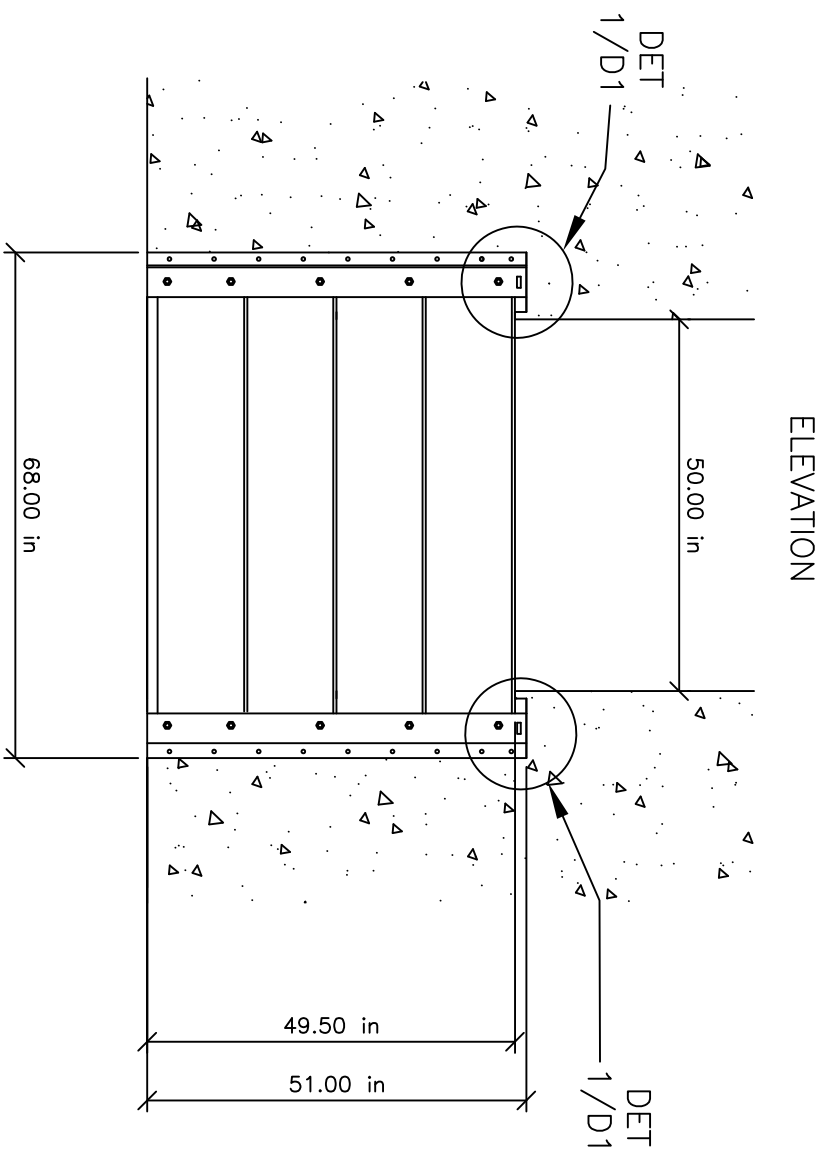
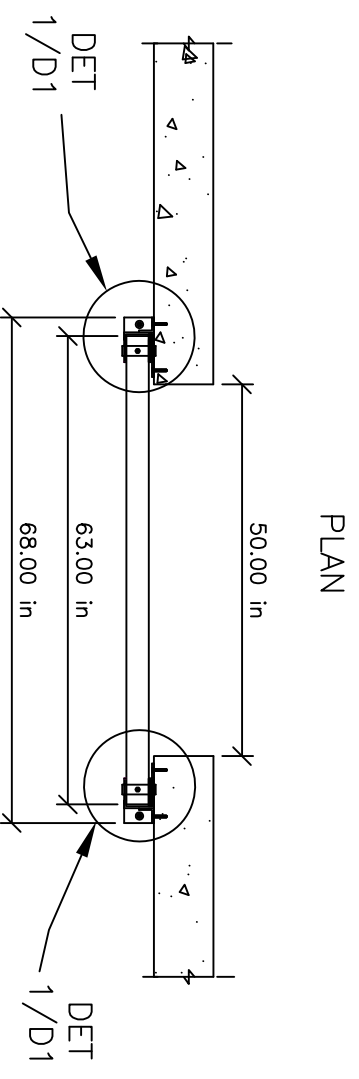
No.	Revision/Issue	Date

From Name and Address
 ARCHITECTURE METALS
 5500 MILITARY TRAIL
 STE. 22-220
 JUPITER, FL 33458
 561-630-0020

Project Name and Address
 Peoples United Bank
 Bridgeport, CT

Project Sheet
 07.29.13 A10
 Scale NTS

All drawings, designs, renderings, specifications and configurations contained in these documents are the exclusive property of Architecture Metals (AM). No duplication, copies, or use of these documents to produce same or similar products is allowed without express written consent of AM. This material can not be duplicated.



A11
 DOOR 14
 (1 EACH)
 NTS

ARCHITECTURE METALS
 FLOOD LOG SHOP
 DRAWINGS

No.	Revision/Issue	Date

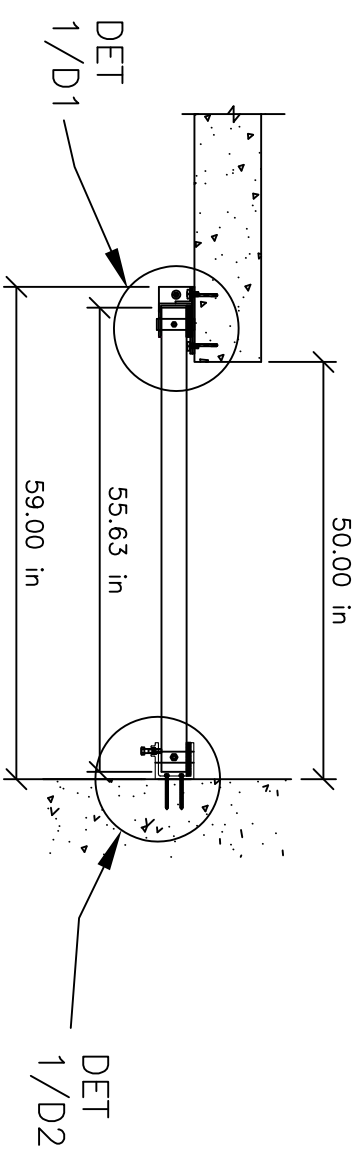
From Name and Address
 ARCHITECTURE METALS
 5500 MILITARY TRAIL
 STE. 22-220
 JUPITER, FL 33458
 561-630-0020

Project Name and Address
 Peoples United Bank
 Bridgeport, CT

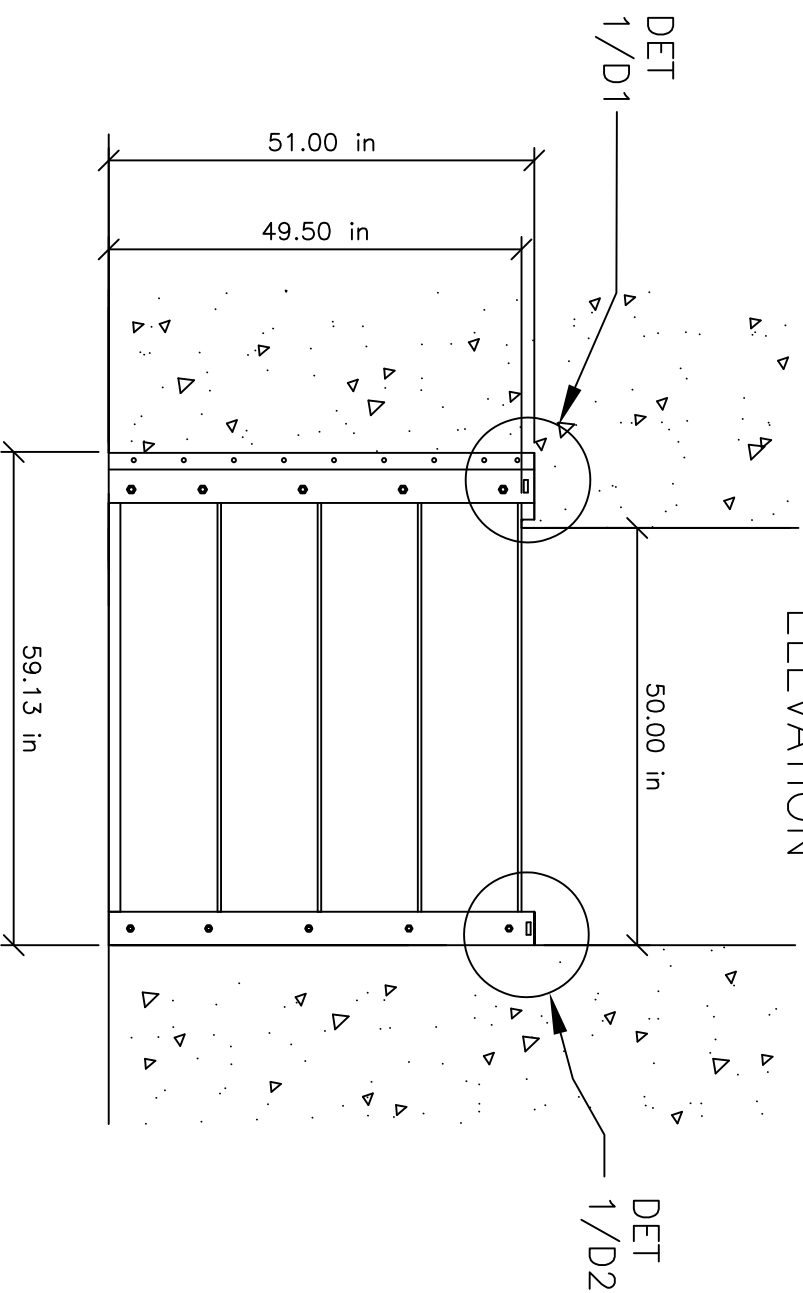
Project	Sheet
07.29.13	A11
Scale	NTS

All drawings, designs, renderings, specifications and configurations contained in these documents are the exclusive property of Architecture Metals (AM). No duplication, copies, or use of these documents to produce same or similar products is allowed without express written consent of AM. This material can not be duplicated.

PLAN



ELEVATION



A12
DOOR 15
(1 EACH)
NTS

General Notes

ARCHITECTURE METALS
FLOOD LOG SHOP
DRAWINGS

No.	Revision/Issue	Date

From Name and Address
ARCHITECTURE METALS
5500 MILITARY TRAIL
STE. 22-220
JUPITER, FL 33458
561-630-0020

Project Name and Address
Peoples United Bank
Bridgeport, CT

Project	Sheet
07.29.13	A11
Scale	
NTS	

All drawings, designs, renderings, specifications and configurations contained in these documents are the exclusive property of Architecture Metals (AM). No duplication, copies, or use of these documents to produce same or similar products is allowed without express written consent of AM. This material can not be duplicated.

3/8" X 1" SS HEX HEAD
MACHINE BOLT FIXED TO TAPPED
HOLE IN EMBED PLATE 6" OC
STARTING 3" FROM BOTTOM BOTH
SIDES OF SUPPORT

ALUMN SUPPORT W/BASE
PLATE. GROUT OR CAULK
AT BOTTOM DURING
INSTALLATION

1/2" HOLE TO
RECEIVE 3/8" BOLT FOR
DROP IN ANCHOR

4 3/8" X 4 5/8" X 3/8" ALUMN
SUPPORT CHANNEL
W/4" GASKET INSIDE CHANNEL

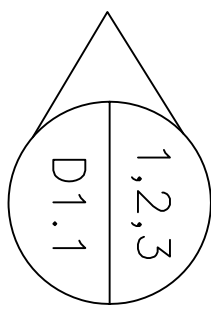
1/4" PRIMED STEEL EMBED
PLATE W/1/4" X 2"
Tap-Cons 6" OC STARTING
2" FROM TOP AND 3" FROM
THE BOTTOM

CAULK OR GROUT JOINT
BETWEEN PLATES AND AT WALL

COMPRESSION PLATE WITH
3/8" THREADED HOLE
1/2" SS
COMPRESSION BOLT

FLOOD LOG

1/D1
FIXED-WALL MOUNT
"C" CHANNEL WALL
SUPPORT BRACKET
PLAN VIEW
NTS



ARCHITECTURE METALS FLOOD LOG SHOP DRAWINGS

No.	Revision/Issue	Date

From Name and Address
ARCHITECTURE METALS
 5500 MILITARY TRAIL
 STE. 22-220
 JUPITER, FL 33458
 561-630-0020

Project Name and Address
Peoples United Bank
 Bridgeport, CT

Project	Sheet
07.29.13	D1
Scale	
NTS	

All drawings, designs, renderings, specifications and configurations contained in these documents are the exclusive property of Architecture Metals (AM). No duplication, copies, or use of these documents to produce same or similar products is allowed without express written consent of AM. This material can not be duplicated.

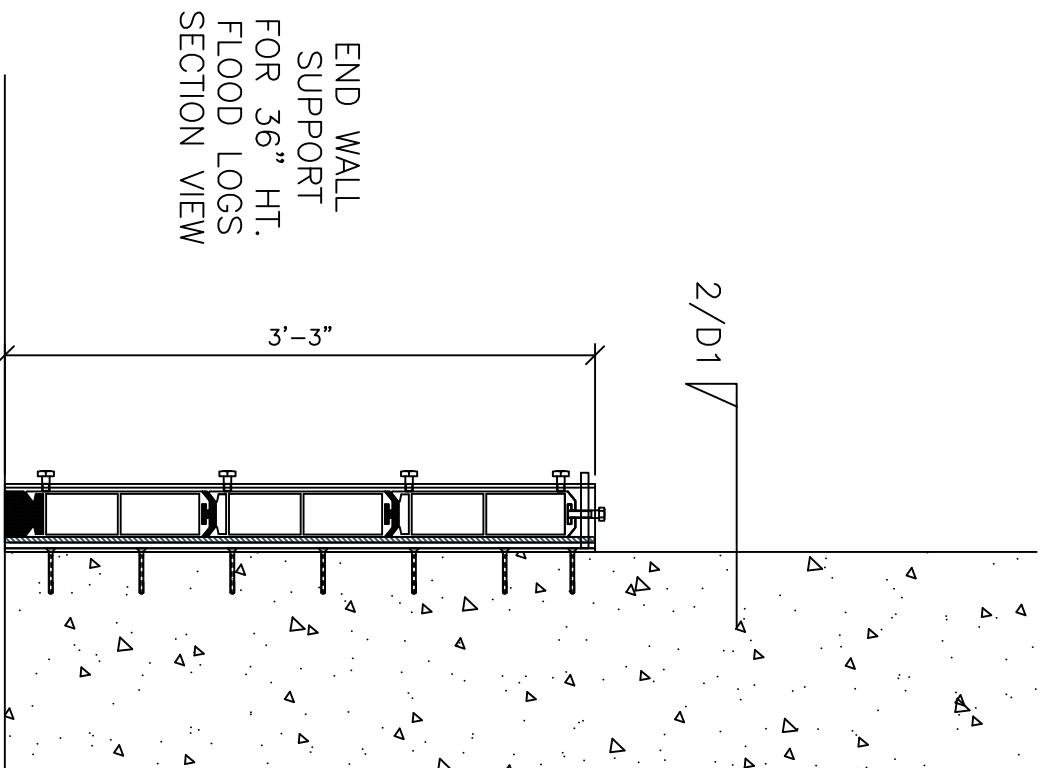
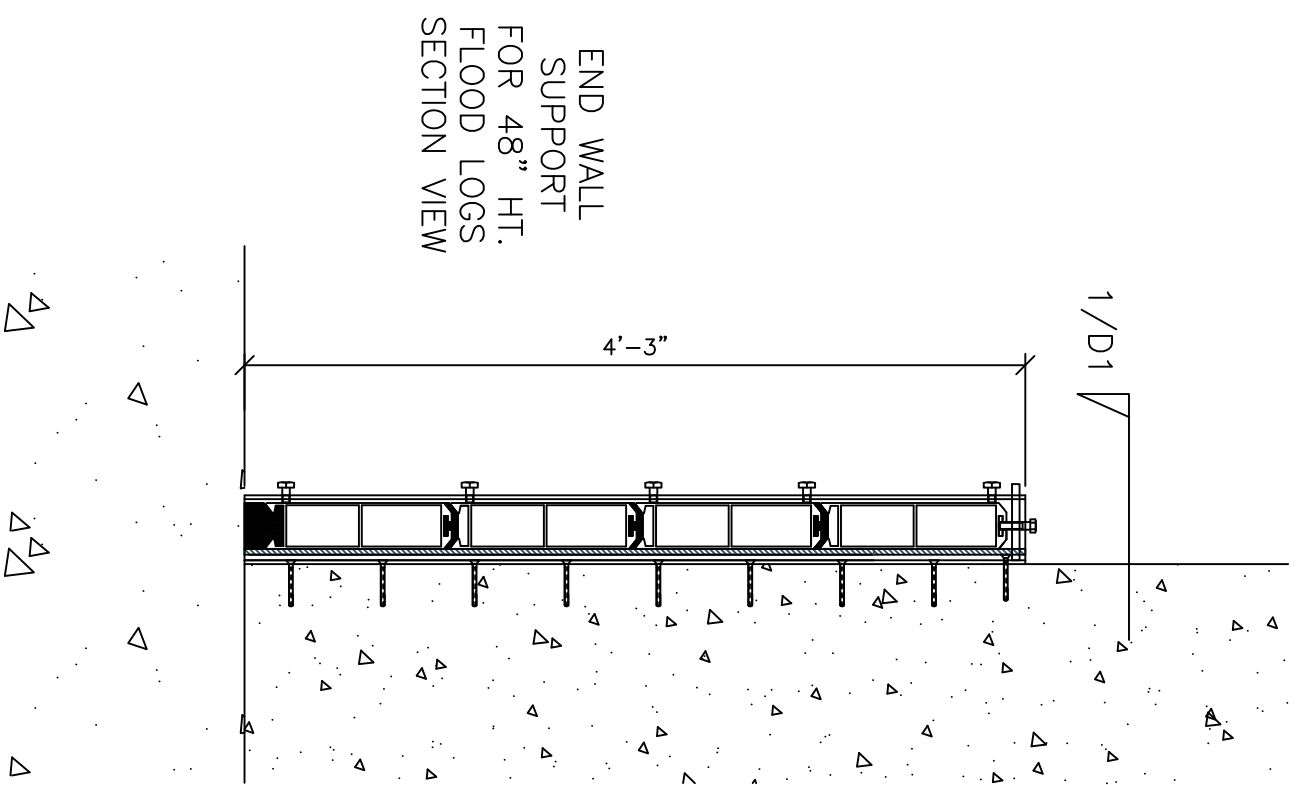
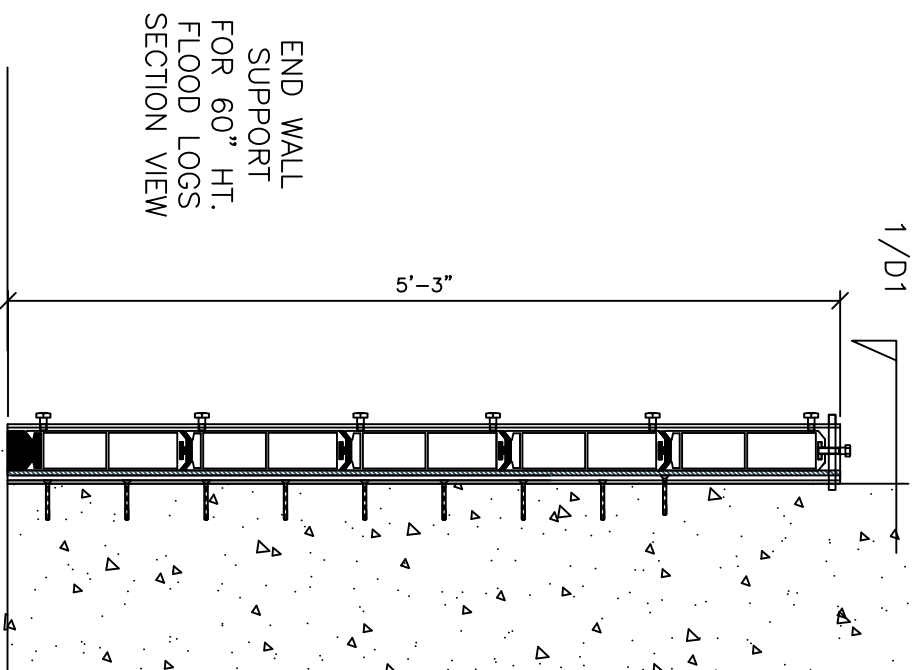
ARCHITECTURE METALS FLOOD LOG SHOP DRAWINGS

No.	Revision/Issue	Date

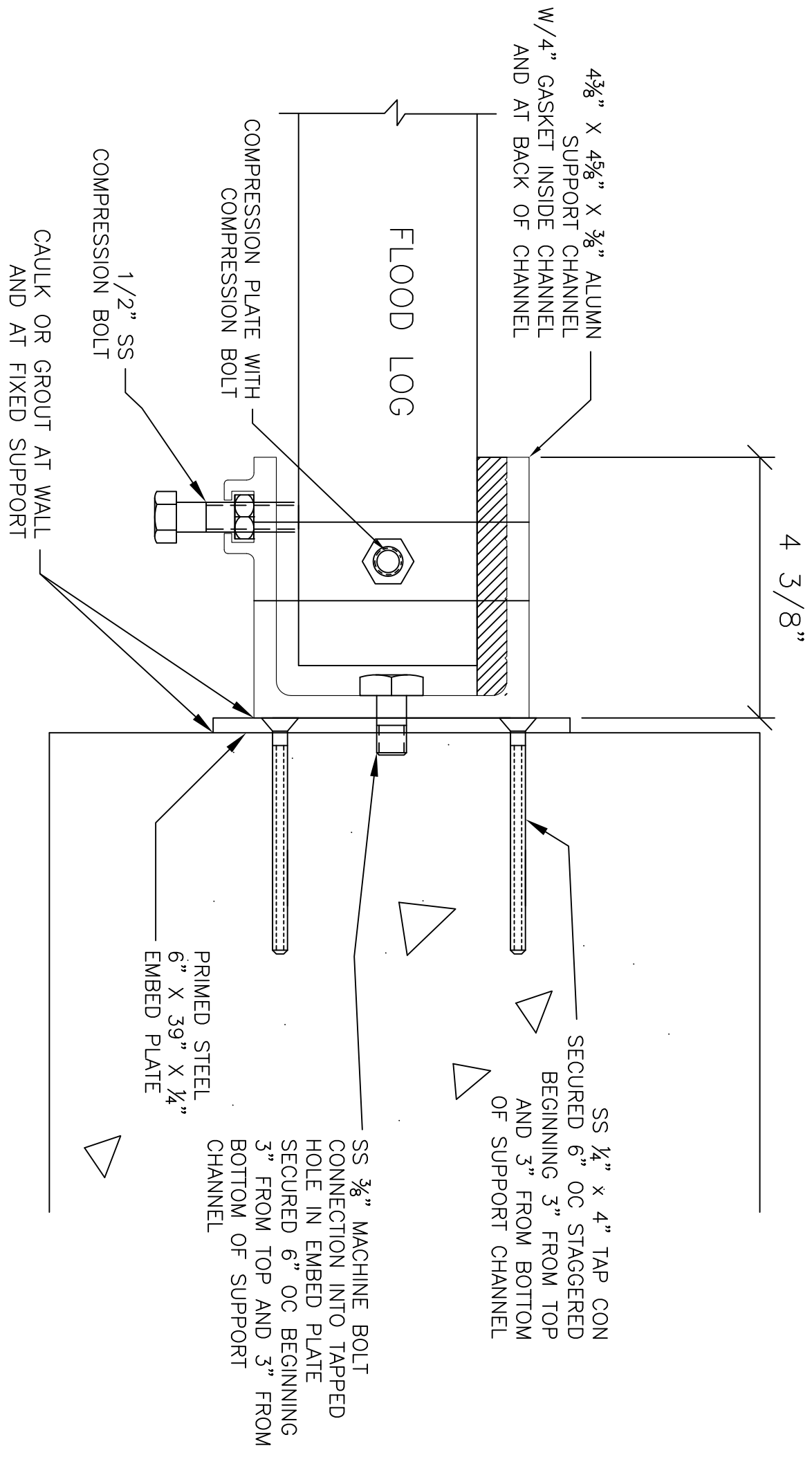
From Name and Address
ARCHITECTURE METALS
 5500 MILITARY TRAIL
 STE. 22-220
 JUPITER, FL 33458
 561-630-0020

Project Name and Address
Peoples United Bank
 Bridgeport, CT

Project	Sheet
07.29.13	D1.1
Scale	NTS



All drawings, designs, renderings, specifications and configurations contained in these documents are the exclusive property of Architecture Metals (AM). No duplication, copies, or use of these documents to produce same or similar products is allowed without express written consent of AM. This material can not be duplicated.



1/D2
 PLAN VIEW JAMB MOUNT
 STANDARD FIXED "C" CHANNEL
 WALL SUPPORT BRACKET
 NTS

All drawings, designs, renderings, specifications and configurations contained in these documents are the exclusive property of Architecture Metals (AM). No duplication, copies, or use of these documents to produce same or similar products is allowed without express written consent of AM. This material can not be duplicated.

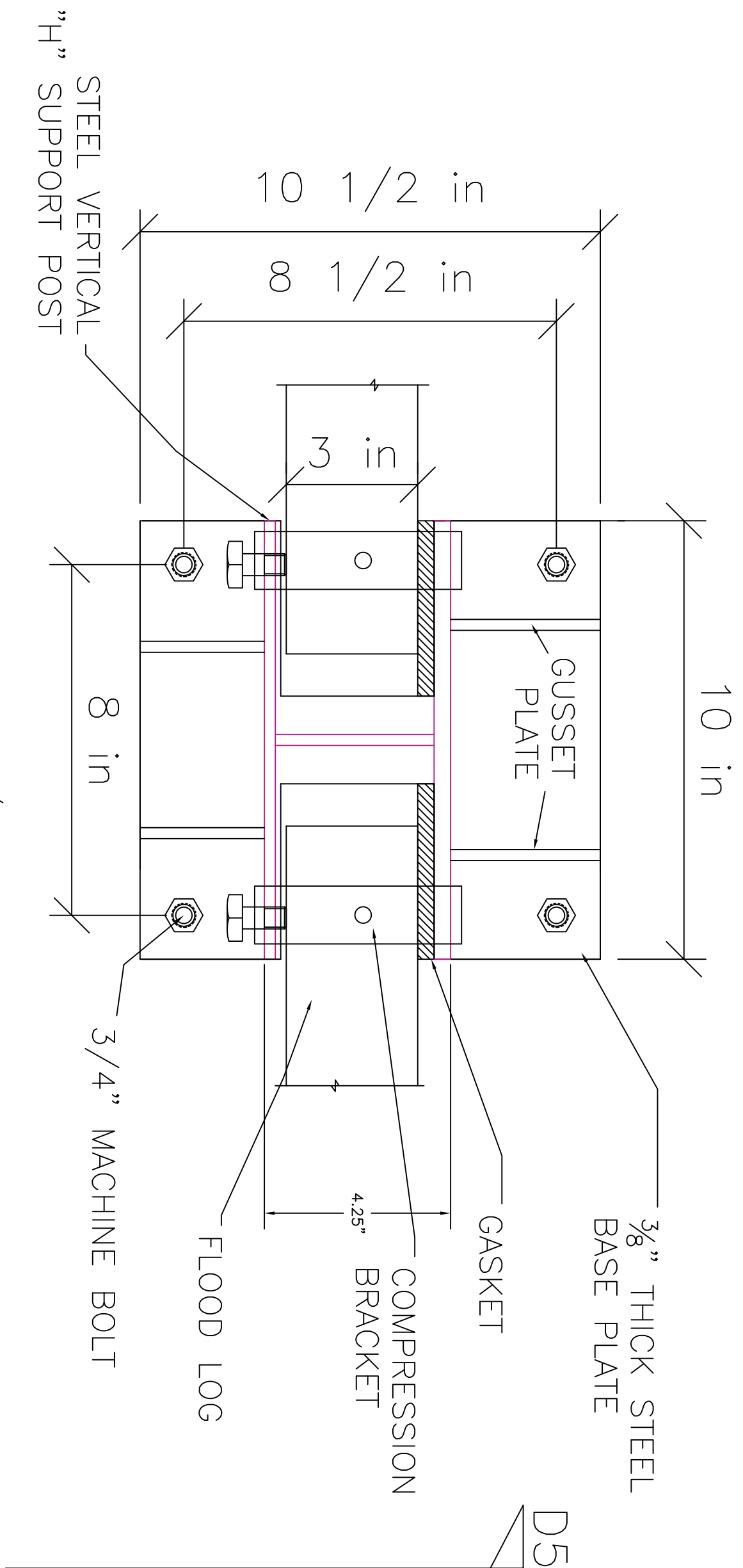
ARCHITECTURE METALS
 FLOOD LOG SHOP
 DRAWINGS

No.	Revision/Issue	Date

From Name and Address
 ARCHITECTURE METALS
 5500 MILITARY TRAIL
 STE. 22-220
 JUPITER, FL 33458
 561-630-0020

Project Name and Address
 Peoples United Bank
 Bridgeport, CT

Project	Sheet
07.29.13	D2
Scale	NTS



DETAIL 1/D3
 MID-SPAN SUPPORT
 BRACKET PLAN VIEW
 NTS

All drawings, designs, renderings, specifications and configurations contained in these documents are the exclusive property of Architecture Metals (AM). No duplication, copies, or use of these documents to produce same or similar products is allowed without express written consent of AM. This material can not be duplicated.

ARCHITECTURE METALS
 FLOOD LOG SHOP
 DRAWINGS

No.	Revision/Issue	Date

From Name and Address
 ARCHITECTURE METALS
 5500 MILITARY TRAIL
 STE. 22-220
 JUPITER, FL 33458
 561-630-0020

Project Name and Address
 Peoples United Bank
 Bridgeport, CT

Project	Sheet
07.29.13	D3
Scale	NTS

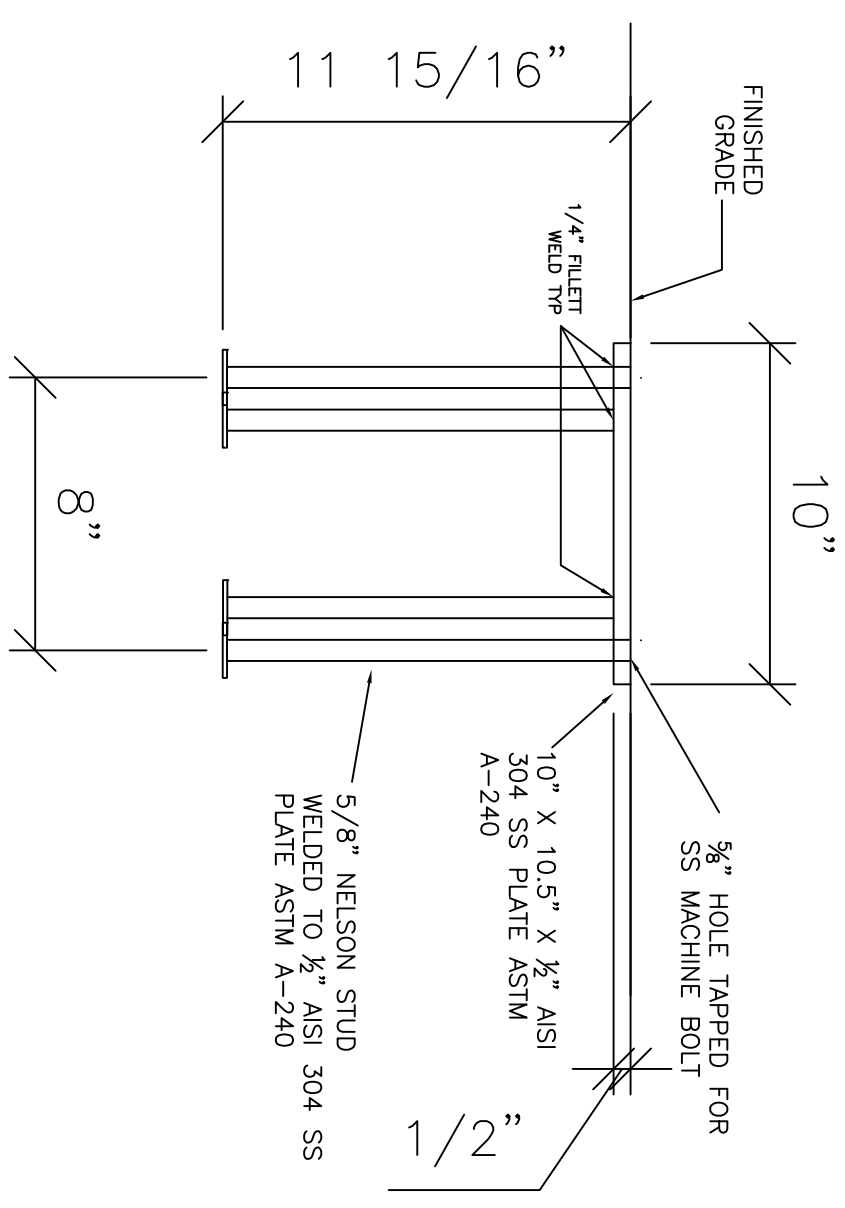
ARCHITECTURE METALS FLOOD LOG SHOP DRAWINGS

No.	Revision/Issue	Date

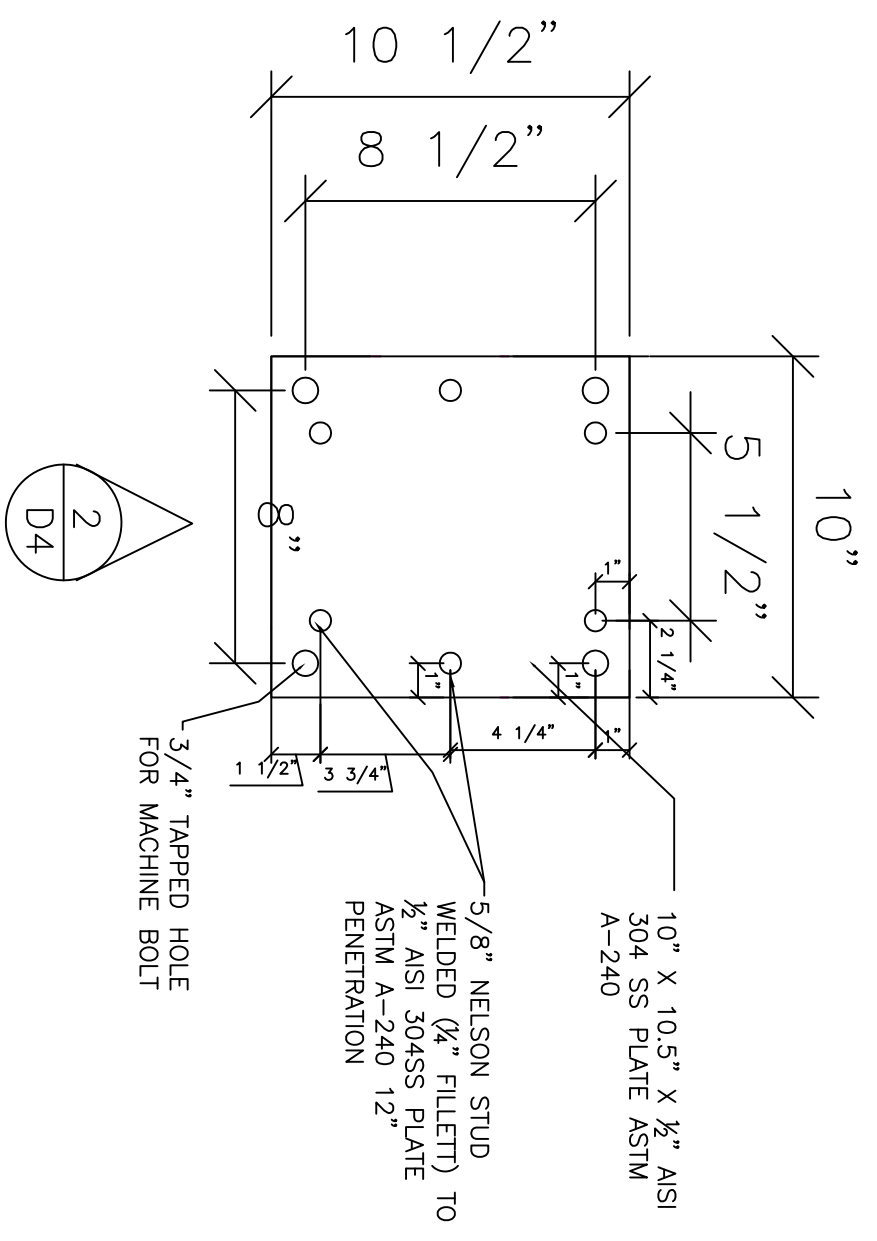
From Name and Address
 ARCHITECTURE METALS
 5500 MILITARY TRAIL
 STE. 22-220
 JUPITER, FL 33458
 561-630-0020

Project Name and Address
 Peoples United Bank
 Bridgeport, CT

Project	Sheet
07.29.13	D4
Scale	NTS

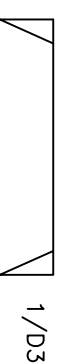
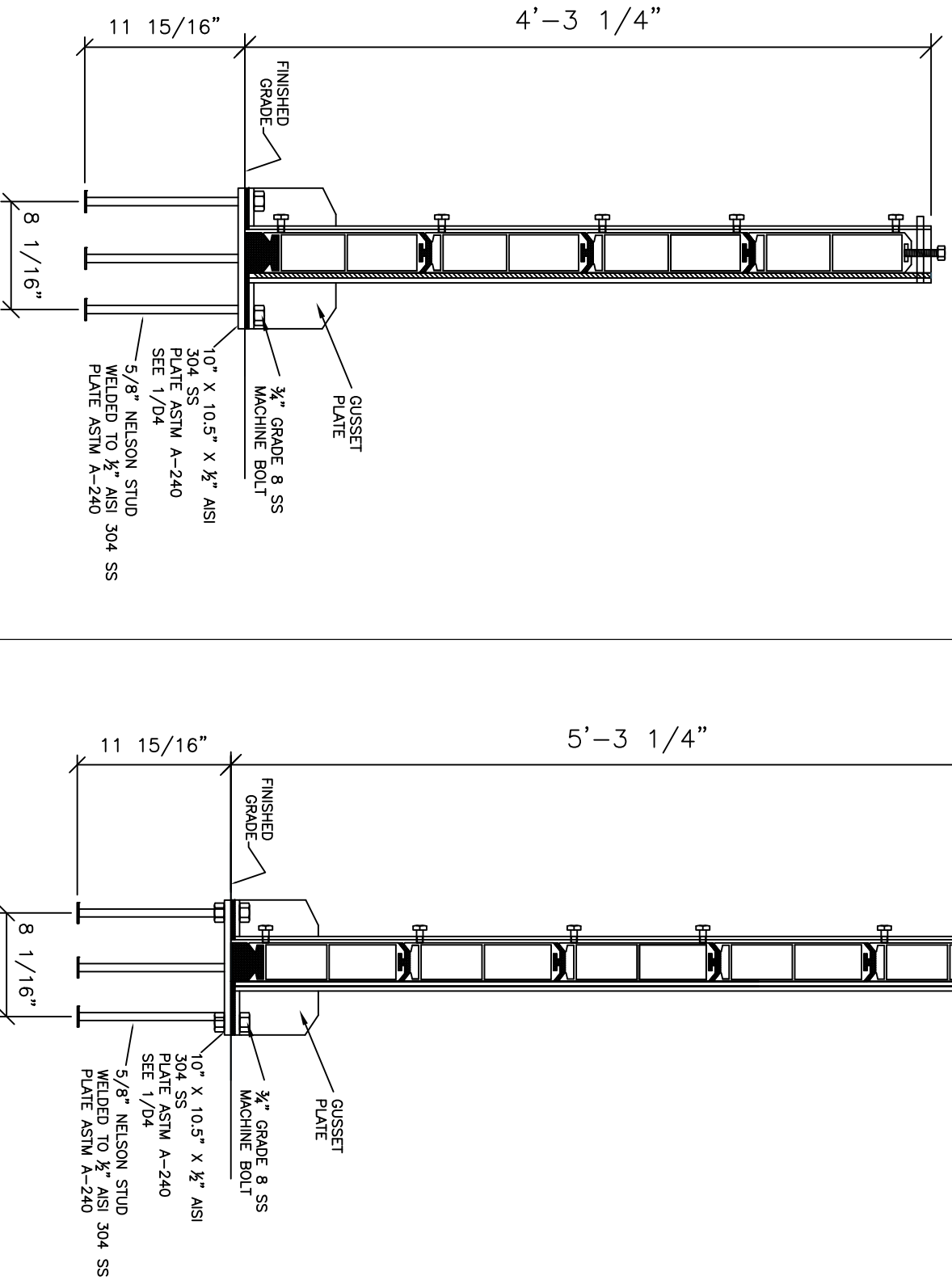
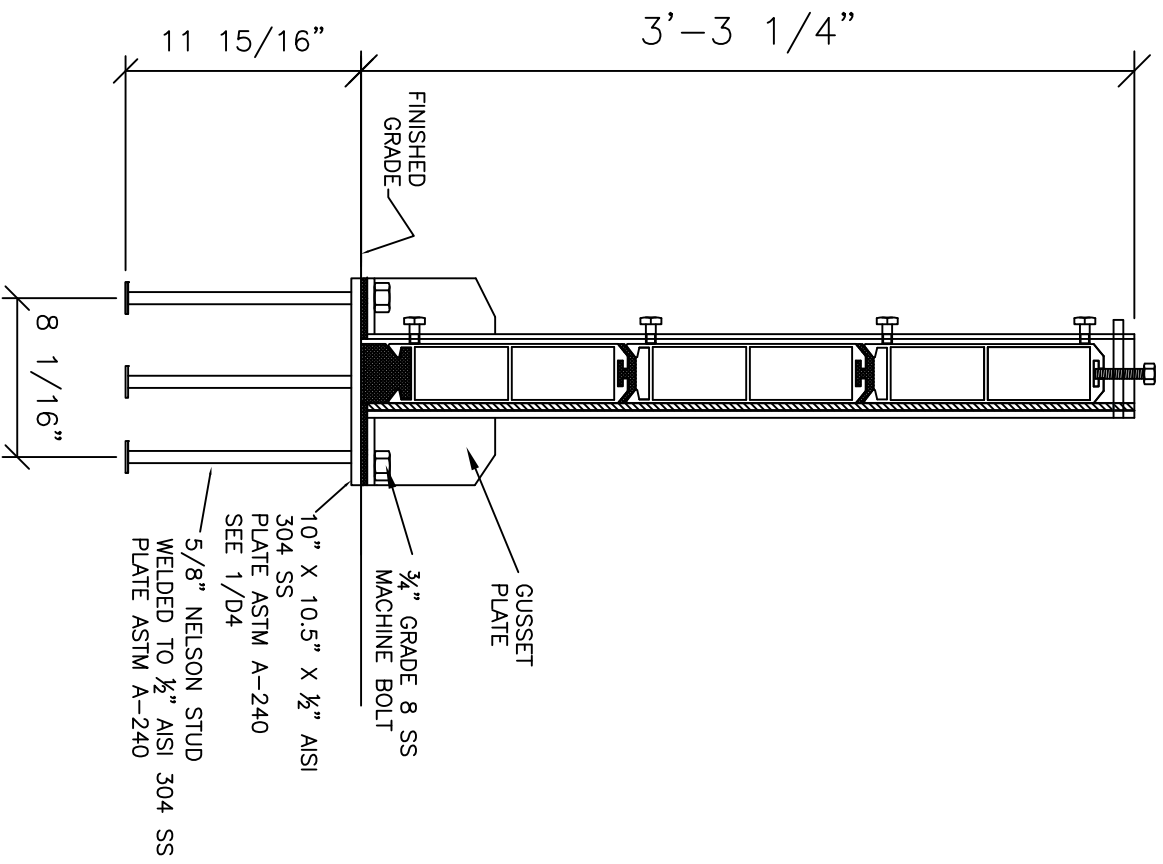


DETAIL 2/D4
 MID-SPAN SUPPORT EMBED PLATE
 SECTION



DETAIL 1/D4
 MID-SPAN SUPPORT EMBED PLATE
 PLAN

All drawings, designs, renderings, specifications and configurations contained in these documents are the exclusive property of Architecture Metals (AM). No duplication, copies, or use of these documents to produce same or similar products is allowed without express written consent of AM. This material can not be duplicated.



36" HT. FLOOD IOG
REMOVABLE MID-SPAN
SUPPORT POST SECTION
1/D5

48" HT. FLOOD IOG
REMOVABLE MID-SPAN
SUPPORT POST SECTION
2/D5

60" HT. FLOOD LOG
REMOVABLE MID-SPAN
SUPPORT POST SECTION
3/D5

All drawings, designs, renderings, specifications and configurations contained in these documents are the exclusive property of Architecture Metals (AM). No duplication, copies, or use of these documents to produce same or similar products is allowed without express written consent of AM. This material can not be duplicated.

General Notes

ARCHITECTURE METALS FLOOD LOG SHOP DRAWINGS

No.	Revision/Issue	Date

From Name and Address
ARCHITECTURE METALS
 5500 MILITARY TRAIL
 STE 22-220
 JUPITER, FL 33458
 561-630-0020

Project Name and Address
Peoples United Bank
 Bridgeport, CT

Project	Sheet
07.29.13	D5
Scale	NTS



FLOOD PANEL

Section 08316

Removable Aluminum Flood Barriers

Gasketed Aluminum Flood Log System (Pat. Pend. (PP))

Suggested Specifications

- Part 1 • General
 - 1.01 Description
 - A. Work Included:
 - Provide flood barrier(s) factory assembled with frame(s) and hardware in accordance with the contract documents.
 - 1.02 Standards
 - A. Comply with the provisions of (as applicable).
 - 1) AWS Structural Welding Code D1.
 - 2) ASTM A36, A240,
 - 3) ASCE 7-02, 24-05
 - 4) FBC Chapter 20, Section 2003.8.4.
 - 5) QA program that is registered to ISO 9001-2000
 - 1.03 Submittals
 - A. Calculations:
 - Submit calculations, approved by a qualified engineer, to verify the barrier's ability to withstand the design pressure loading, based on current building code and specified load combinations.
 - B. Shop Drawings:
 - Submit shop drawings for flood barriers including dimensioned plans and elevations, sections, connections and anchorage, and parts list.
 - C. Manufacturers Data:
 - Submit installation and maintenance instructions for flood barriers.
 - 1.04 Qualifications
 - A. Experience:
 - The manufacturer of the flood barrier(s) shall present evidence attesting to at least 5 years of successful experience in the design, manufacture, and site implementation of the flood barrier system type specified.



FLOOD PANEL

➤ Part 2 • Products

- 2.01 Flood barriers shall be as manufactured by Flood Panel Ltd. a division of Architecture Metals Ltd., 5500 Military Trail, Ste 22-220, Jupiter, Florida 33418 (O)561-630-0020 Fax 561-744-2755 e-mail: sales@am20.com
- 2.02 Materials
 - A. Aluminum Flood Log (PP) Panels to be of 6005-T5
 - B. Intermediate and End Posts:
 - The majority of the post is to be from grade ST37 (S235 JR) or galvanized steel with the exception of below ground supports which are to be of grade 304 stainless steel or equal.
 - C. All steel to be primed with one coat Sherwin Williams Kern Flash rust inhibitive, lead free, primer, or equivalent.
 - D. Base Gaskets to be composite low compressed set gaskets mechanically retained in the flood logs; 40D medium compression set gaskets retained mechanically in the top of each flood log and low compression gaskets in the jambs and mid-span supports.
- 2.03 Design
 - A. Loads for the design of the Flood Log Flood Panel System (PP) have been determined assuming that the location of the building where the system is to be installed is outside of High Risk Flood Hazard Areas, Coastal High Hazard Areas, and Coastal A zones, per Dry Flood proofing Limitations on ASCE 24-05, Section 6.2.1.
 - B. This Flood Log System Flood Panel System (PP) has been designed for the loads and load combinations listed on the ASCE 7-02, Section 2.0 (Combinations of Loads), including the following flood loads according with ASCE 7-02 Section 5.3.3 (Loads During Flooding):
 - 1) Hydrostatic Loads, caused by water which is either stagnant or moves at velocities less than 5 ft/sec, according with ASCE 24-05, Section 6.2.1 and ASCE 7-02, Sections 5.3.3.2 and C5.3.3.2.
 - 2) Hydrodynamic Loads: Hydrodynamic loads not considered since flow of water is moving at velocities less than 5ft/sec, according with ASCE 24-05, Section 6.2.1 (Dry Flood proofing Limitations).
 - 3) Wave Loads: Only Non-breaking wave action is considered since Non-breaking waves on vertical walls can also be computed as hydrostatic forces, according with FEMA 550-2006, Section 3.4 (Wave Loads) and ASCE 7-02 Section 5.3.3.4 (Wave Loads). Breaking waves and broken waves are proper of other areas where Dry-Flood proofing is not allowed according with ASCE 24-05, Section 6.2.1 (Dry Flood proofing Limitations).



FLOOD PANEL

- 4) Impact Loads: Not considered since Hydrostatic analysis is performed for flow of water moving at velocities of less than 5 ft/sec.
- C. This Flood Log System Flood Panel System (PP) is designed for a maximum wind load pressure of +/- 126 psf, which is the maximum wind load pressure per Structural Drawings.
- D. Frame(s) and Intermediate post(s) shall have mounting holes for connecting anchors and bolts. Anchor type, size, and method dependent on load capabilities of structure.
- E. The individual Flood log sections shall be 3" deep by 12.25" tall with a top interlocking gasket slot system which includes gaskets and gasket channels between sections and full height in the jamb channels. Multiple logs are to be stacked to meet or exceed the base flood elevation plus additional 12" or 24" for wave action per the job requirements and location. Embed plates may be required at the sill and jambs based on the condition at the opening and the loads imposed on the system. Jamb supports are to be continuous structural steel channels designed specifically for the Flood log system and are to be anchored and sealed to the condition with embeds or mechanical anchors.

➤ Part 3 – Execution

➤ 3.01 Installation

- A. Install flood barriers in accordance with manufacturer's instructions and approved shop drawings.